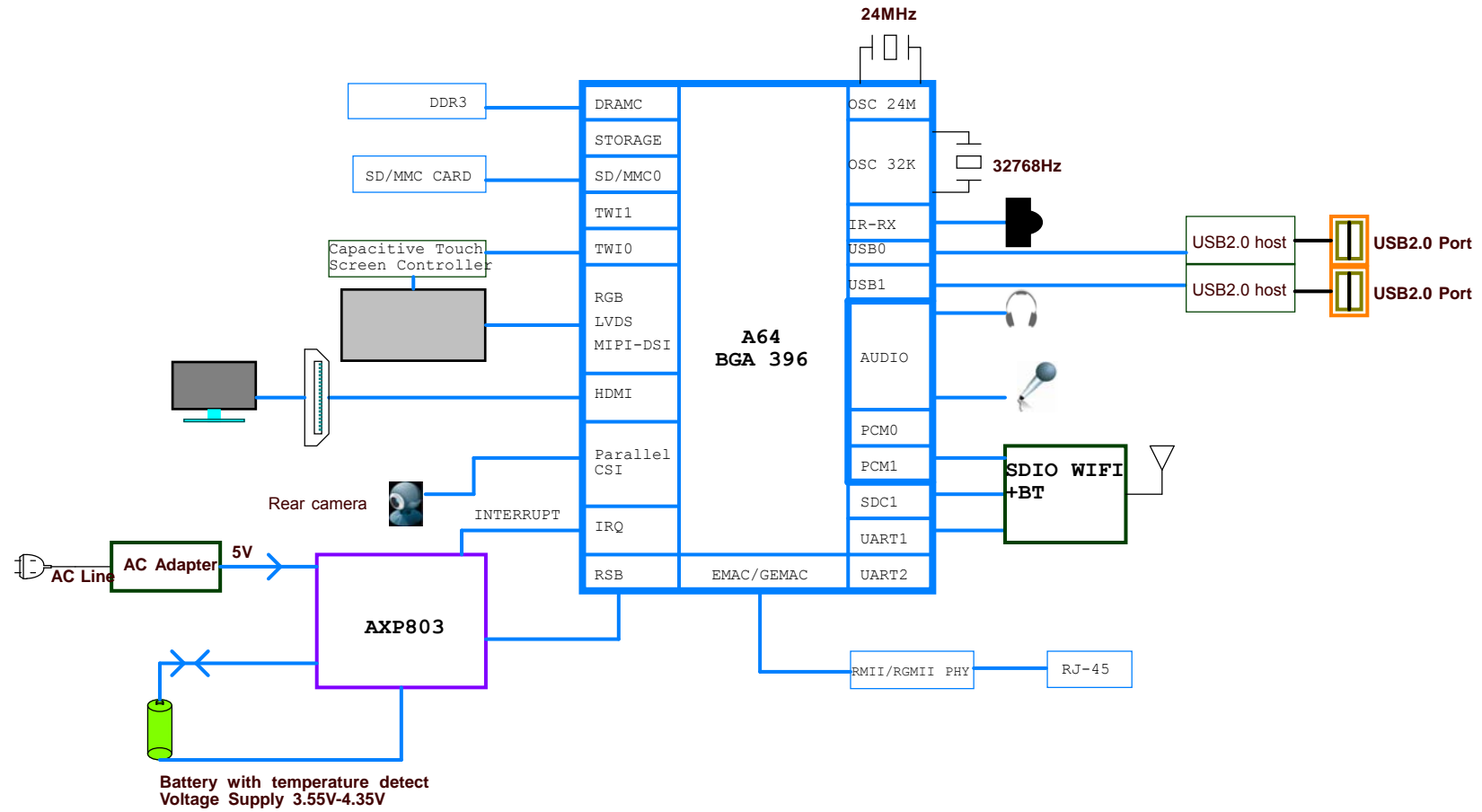
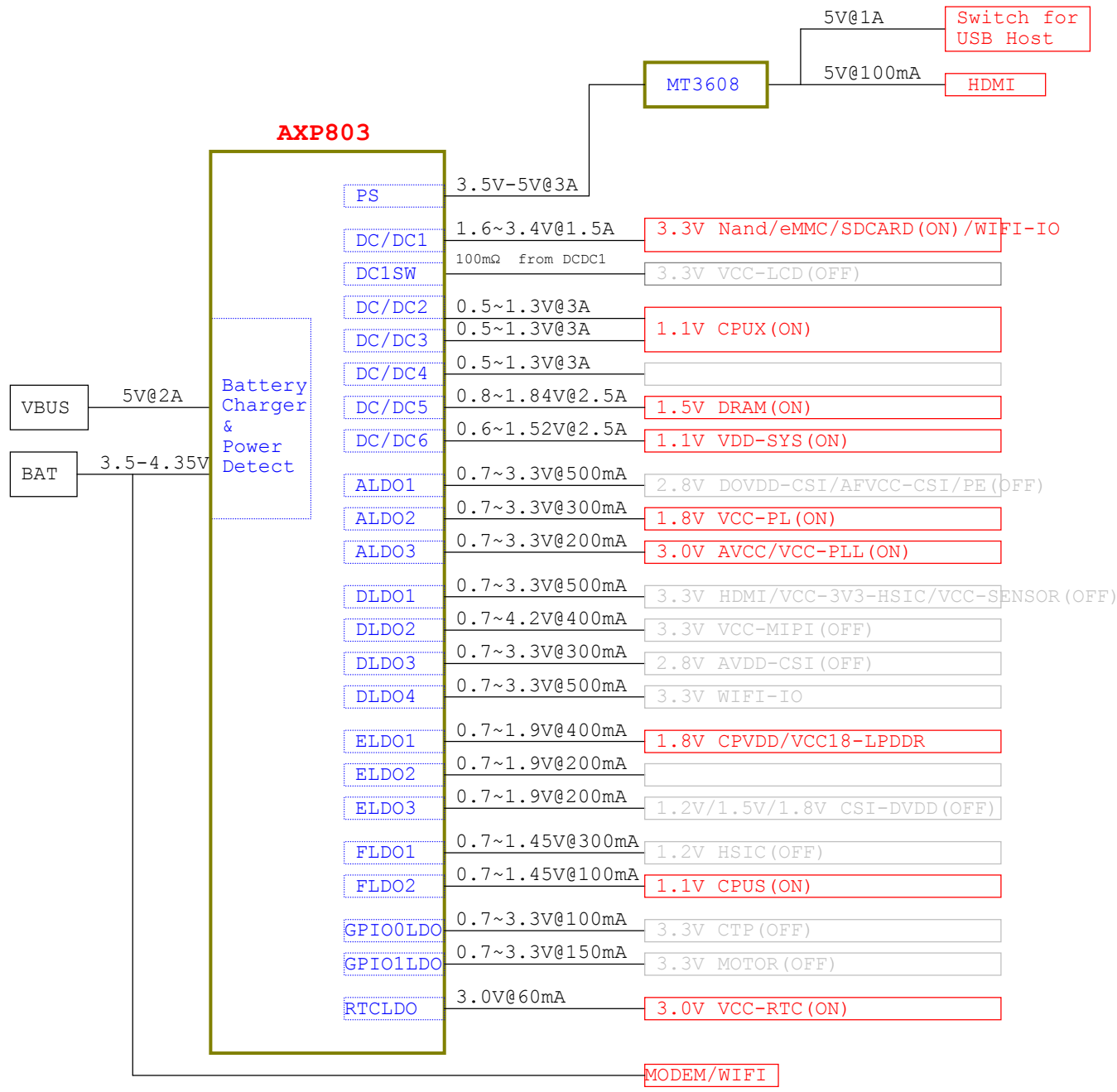


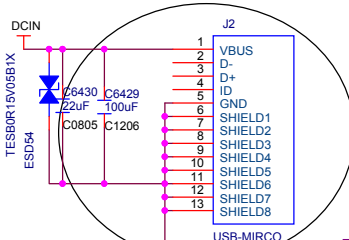
BLOCK DIAGRAM



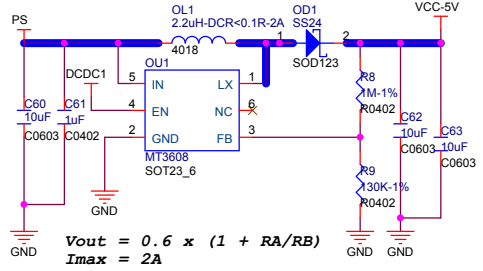
POWER TREE



Power

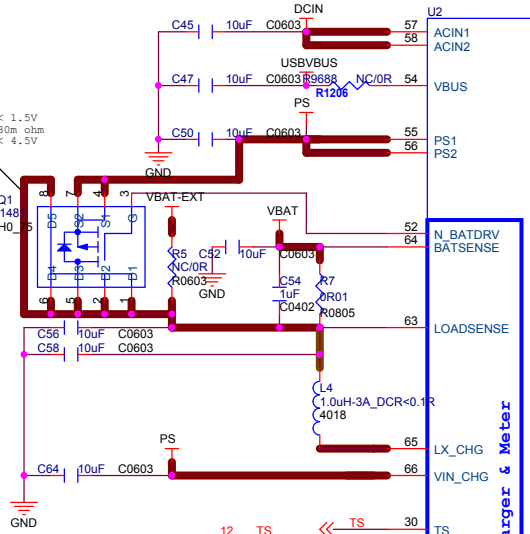


PS-5V



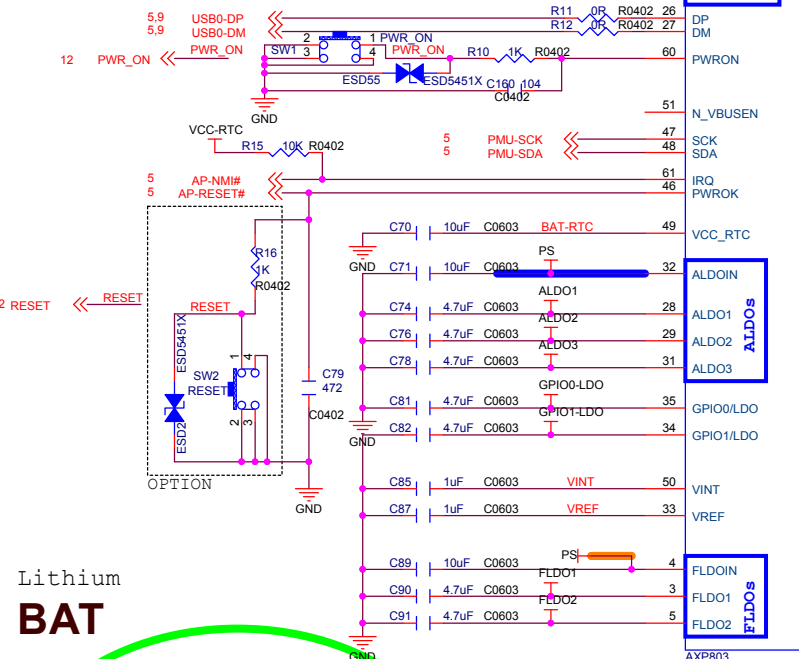
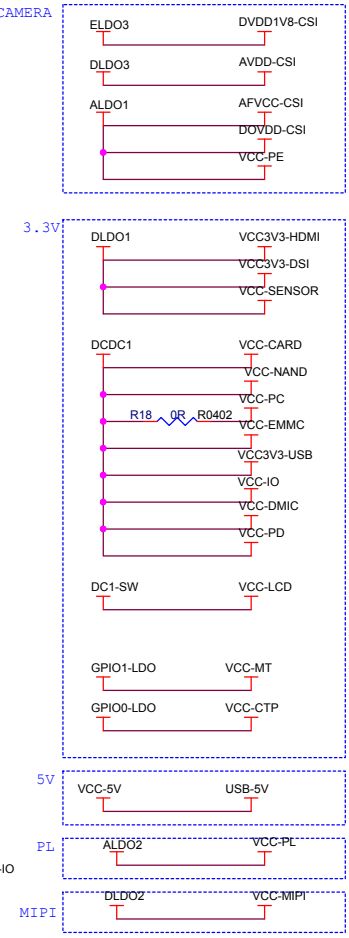
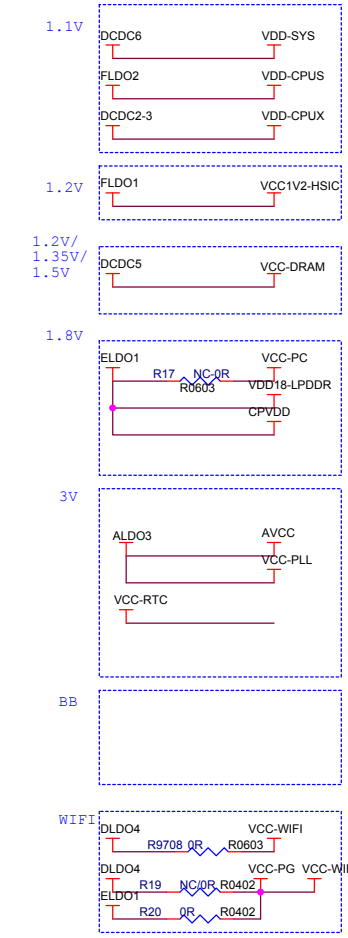
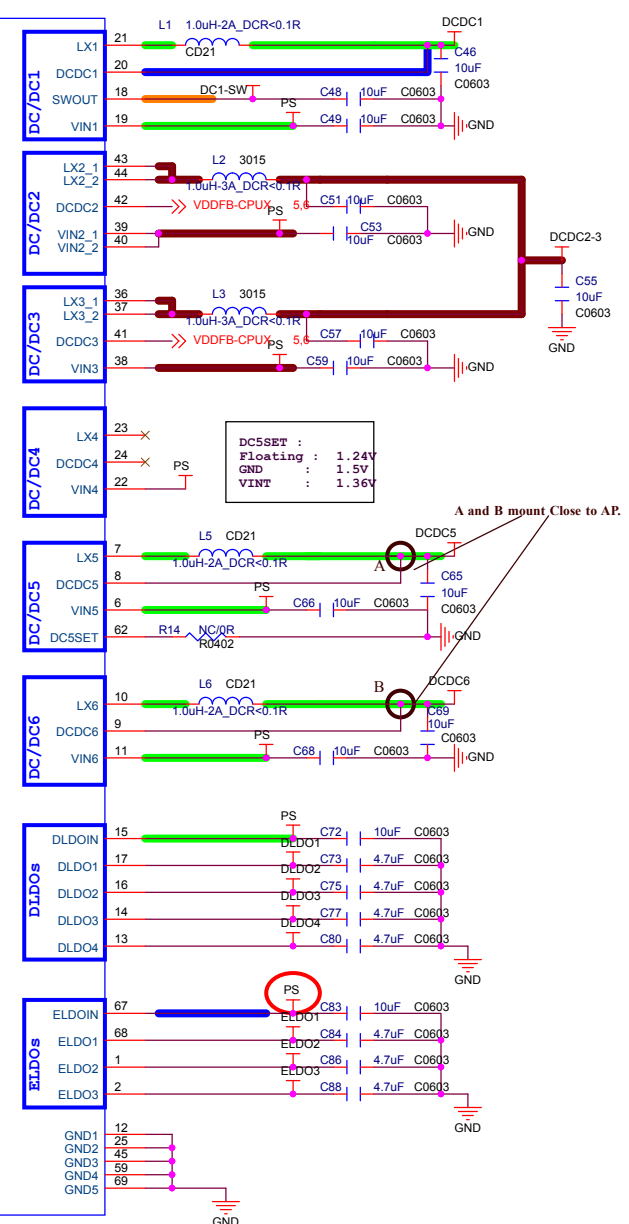
PMIC

Vth < 1.5V
 R < 30m ohm
 VGS < 4.5V

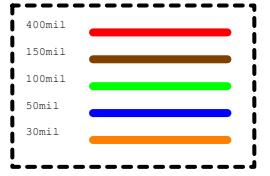
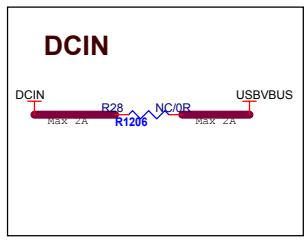
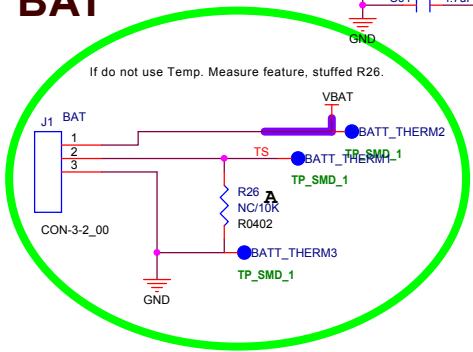


Charger & Meter

DC5SET :
 Floating : 1.24V
 GND : 1.5V
 VINT : 1.36V

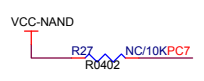
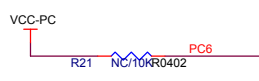
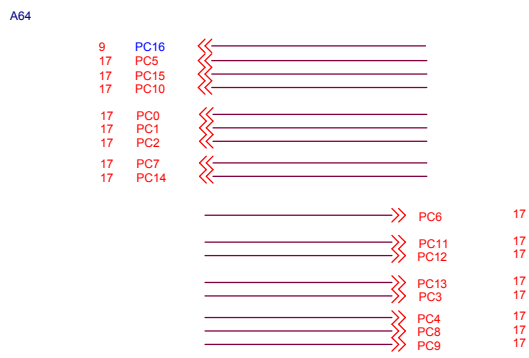
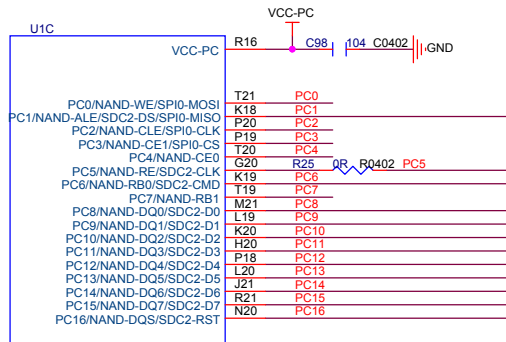


Lithium BAT



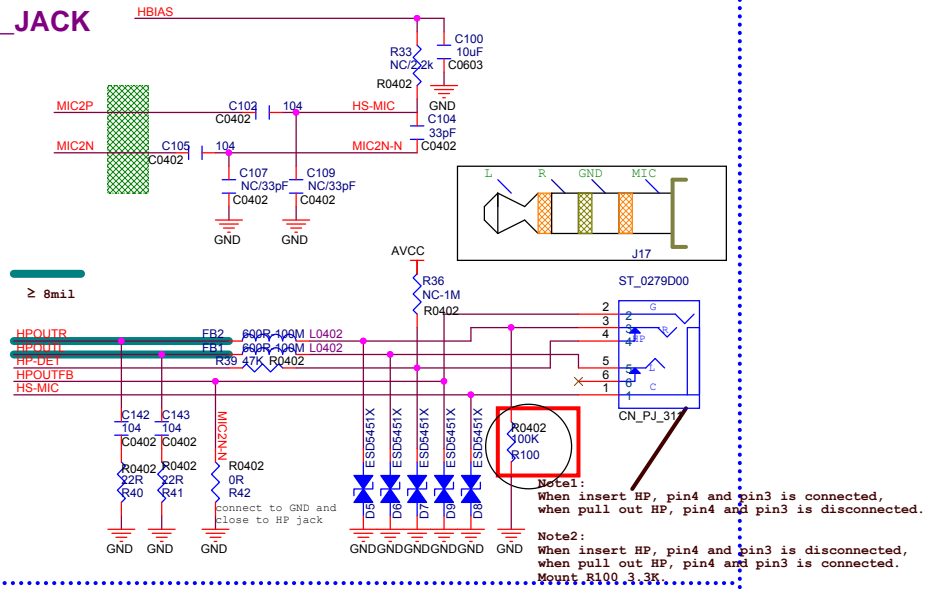
Pine A64	
Title	PINE A64 512MB
Document Number	POWER
Size	A3
Date	Wednesday, December 23, 2015
Sheet	6 of 19
Rev	V1.2

NAND/eMMC



AUDIO

HP_JACK



- 5 HBIAS << _____
- 5 HP-DET << _____
- 5 HPOUTLFB << _____
- 5 HPOUTL << _____
- 5 HPOUTR << _____
- 5 MIC2N << _____
- 5 MIC2P << _____
- 5 HS-MIC << _____

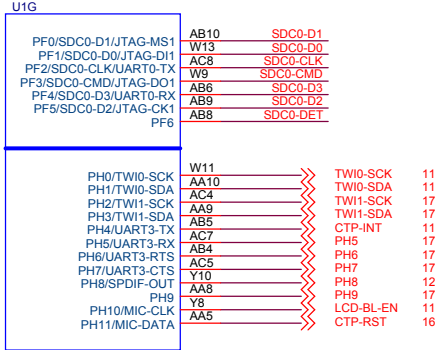
- 5 EAROUTP << _____
- 5 EAROUTN << _____

AVCC _____

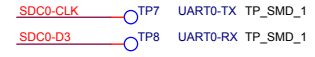
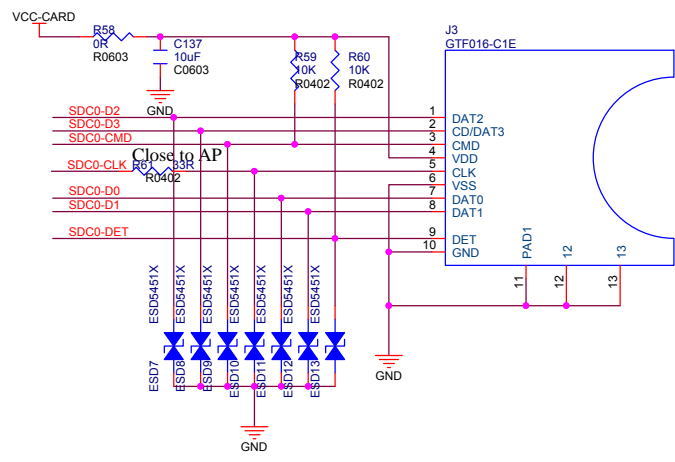
VCC-5V _____

<i>Pine A64</i>	
Title	PINE A64 512MB
Document Number	AUDIO
Size	A3
Date:	Wednesday, December 23, 2015
Sheet	8 of 19
Rev	V1.2

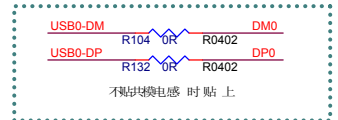
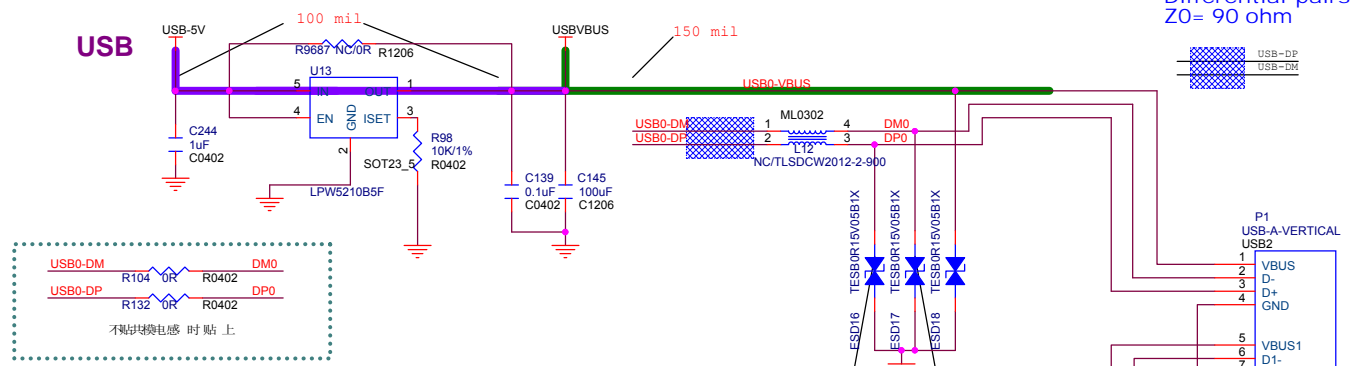
T-CADD/USB



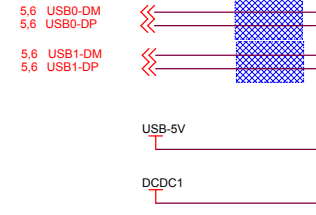
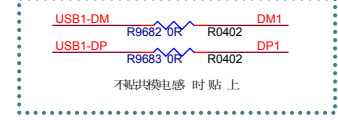
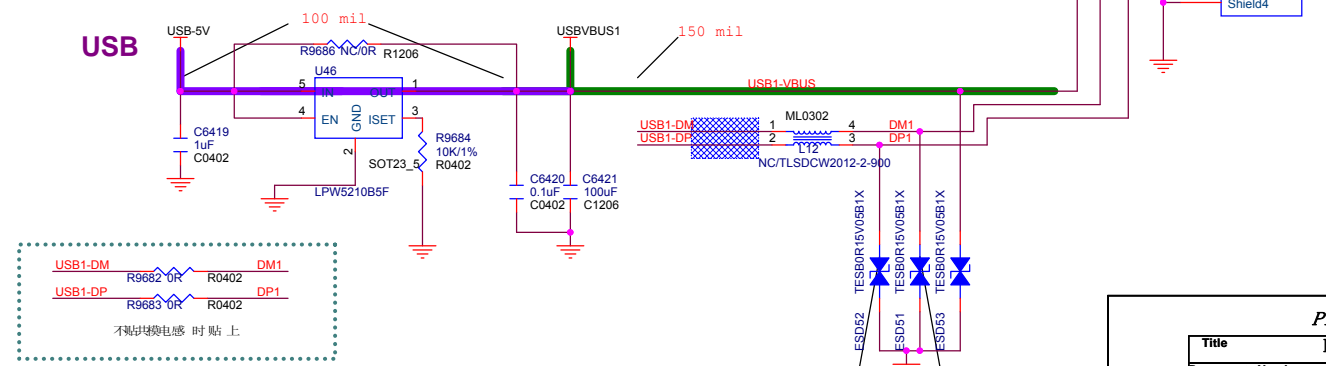
T-CARD



USB

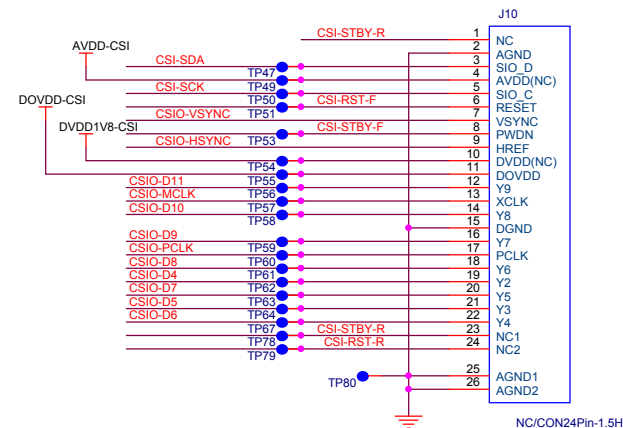
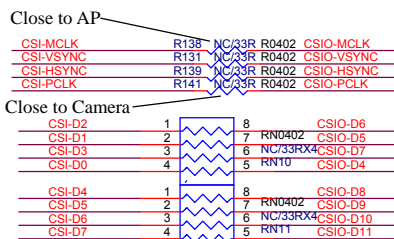
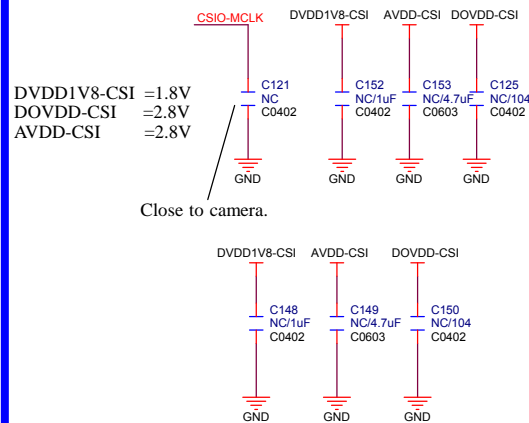
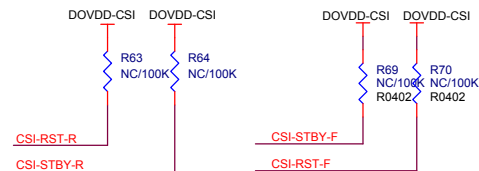
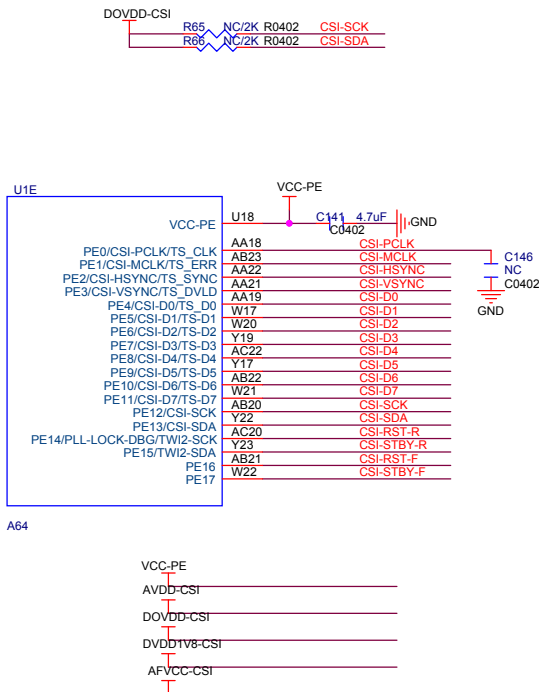


USB

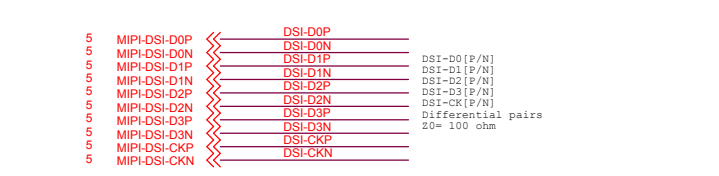
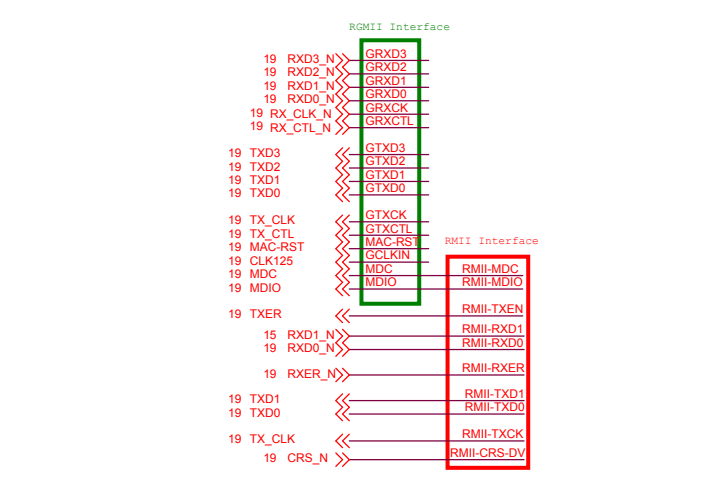
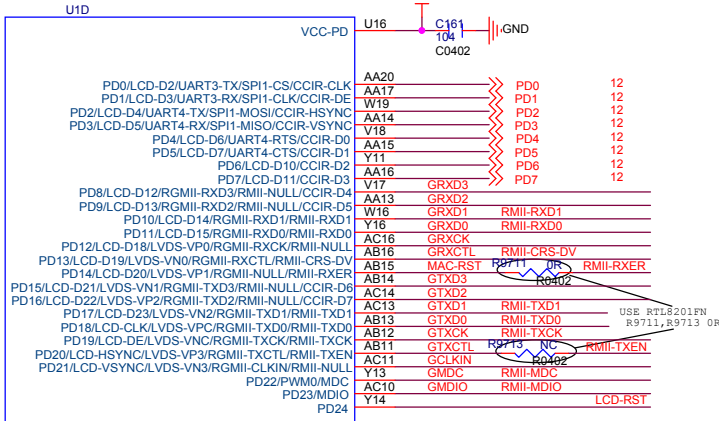


Pine A64			
Title		PINE A64 512MB	
Document Number		T-CARD/USB	
Size	A3	Date	Wednesday, December 23, 2015
		Sheet	9 of 19
		Rev	1.2

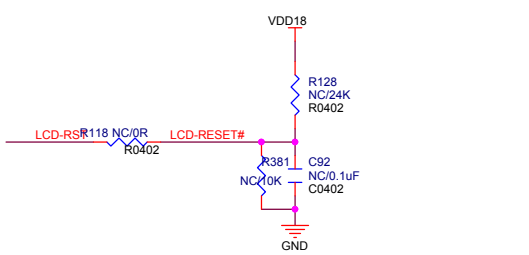
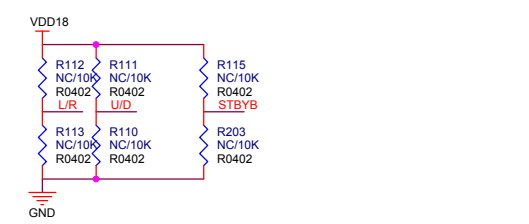
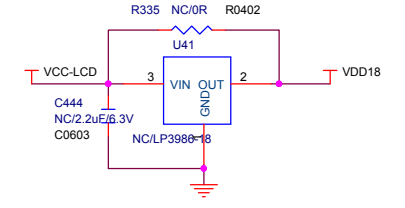
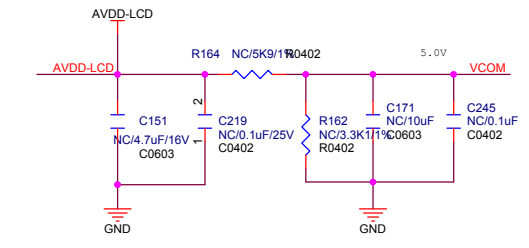
CAM9R5



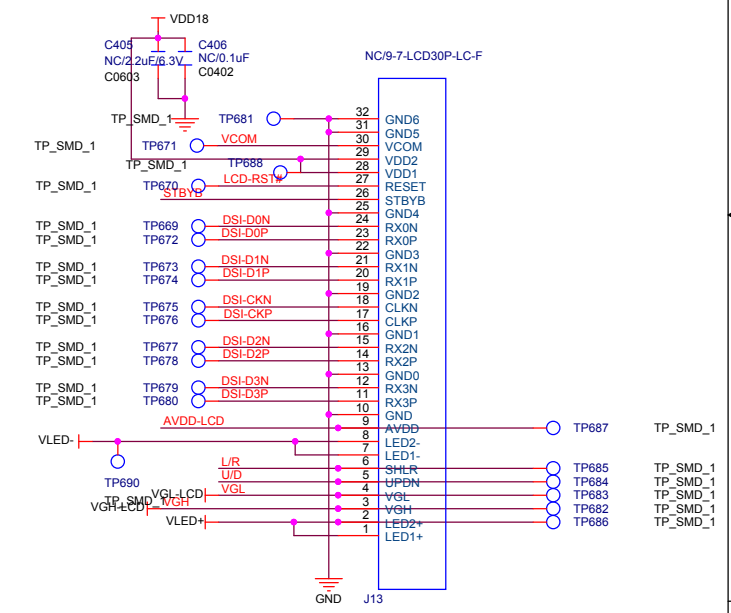
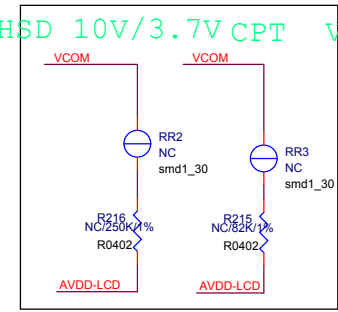
LCD



MIPI-LCD

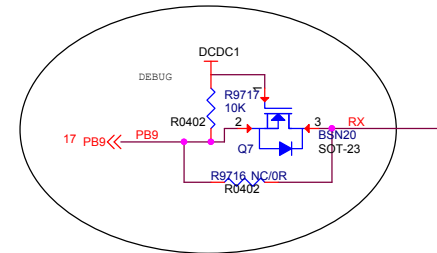
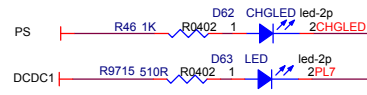
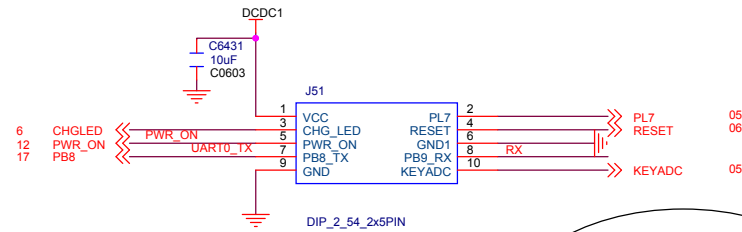
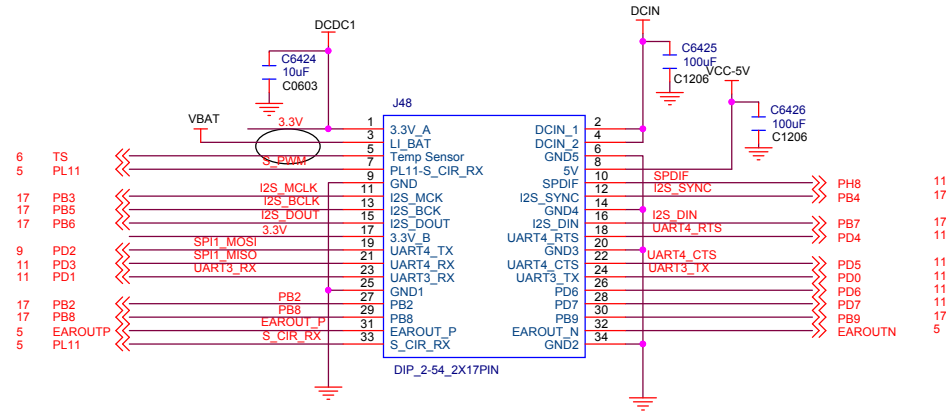


HSD 10V/3.7V CPT Vcom=4.3V



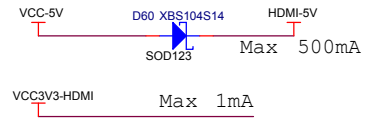
Pine A64			
Title		PINE A64 512MB	
Document Number		MIPI-LCD	
Size	A3	Rev	V1.2
Date:	Thursday, December 24, 2015	Sheet	11 of 19

Euler bus

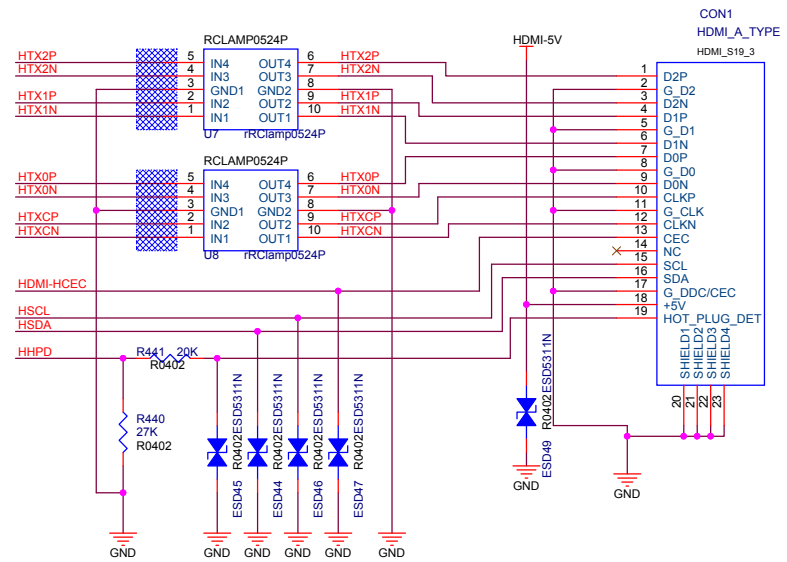
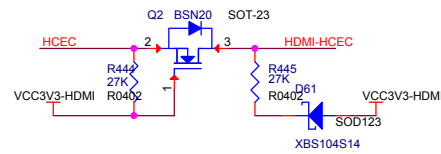
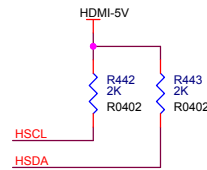


<i>Pine A64</i>	
Title	PINE A64 512MB
Document Number	EULER
Size A3	Rev V1.2
Date: Wednesday, December 23, 2015	Sheet 12 of 19

HDMI

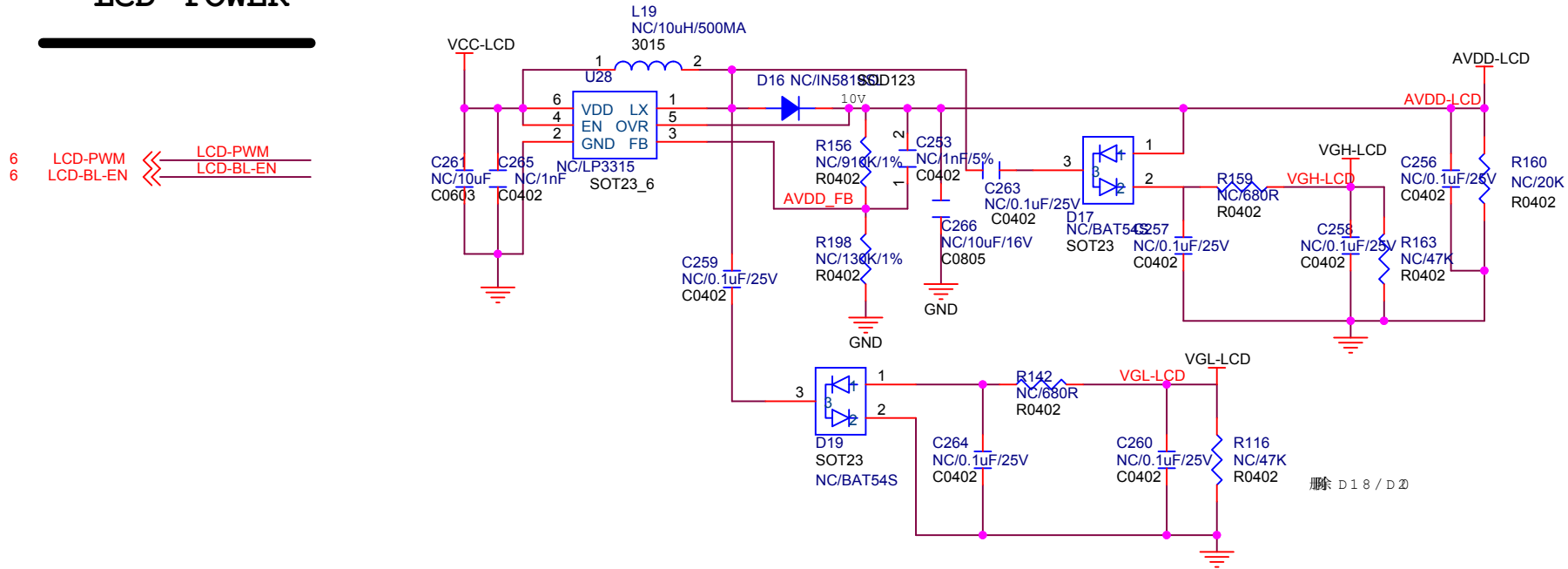


Differential pairs
Z0= 100 ohm



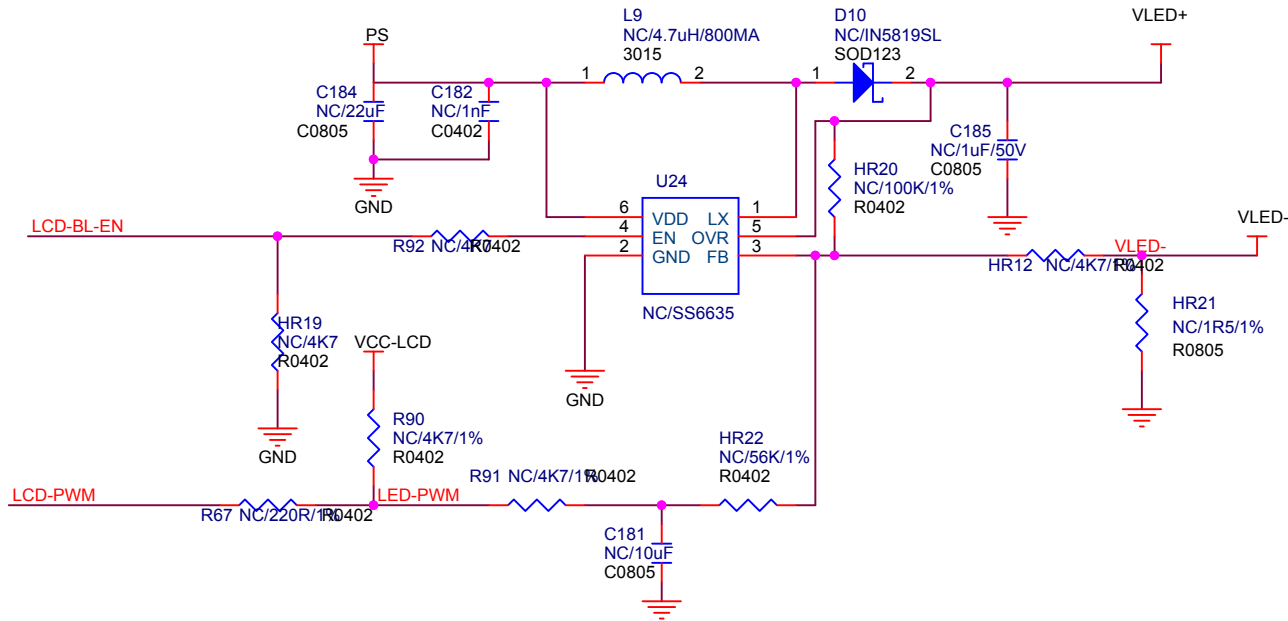
Pine A64	
Title PINE A64 512MB	
Document Number HDMI	
Size A3	Rev 1.2
Date: Wednesday, December 23, 2015	Sheet 13 of 19

LCD POWER



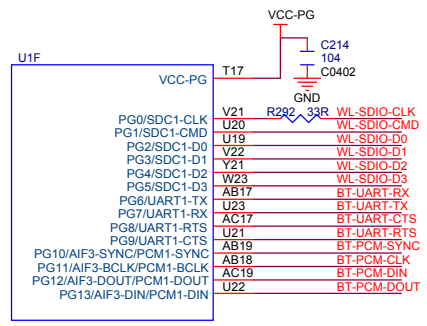
删除 D18 / D20

Backlight

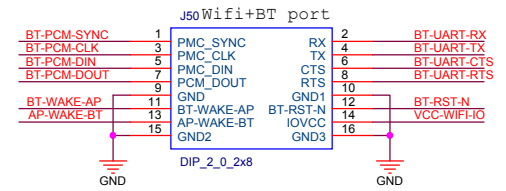
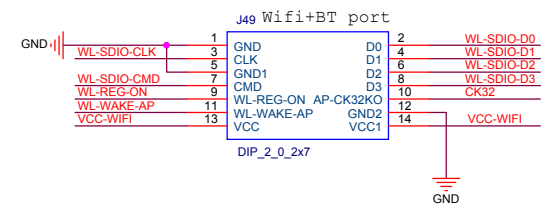
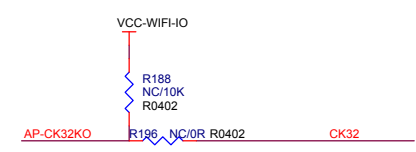
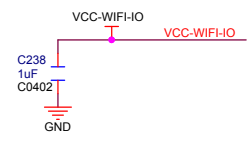
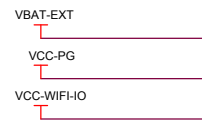
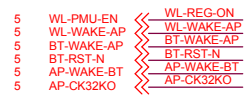


<i>Pine A64</i>	
Title PINE A64 512MB	
Document Number LCD POWER	
Size A4	Rev V1.2
Date: Thursday, December 24, 2015	Sheet 14 of 19

WIFI+BT

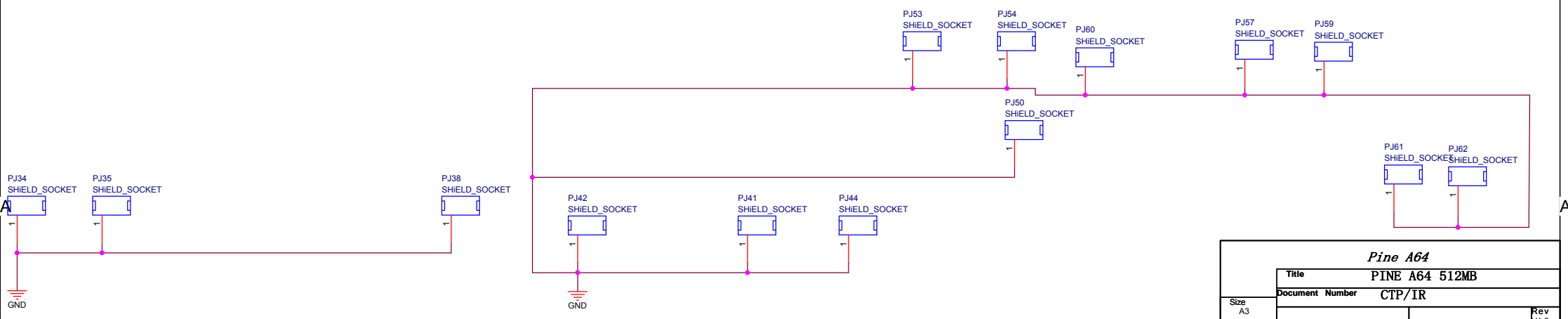
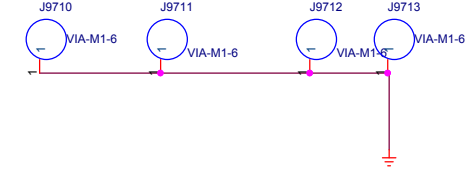
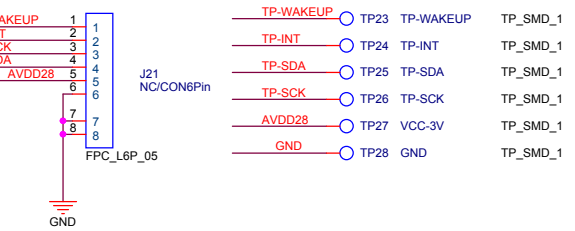
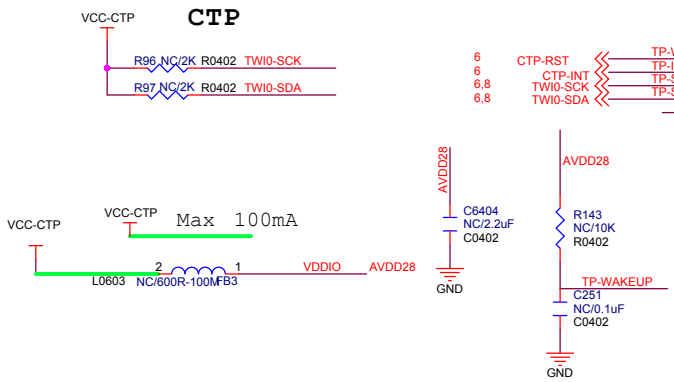
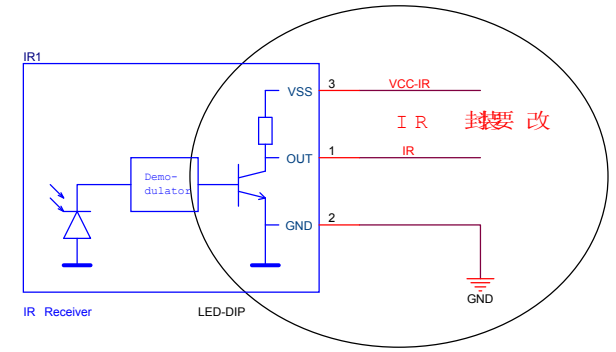
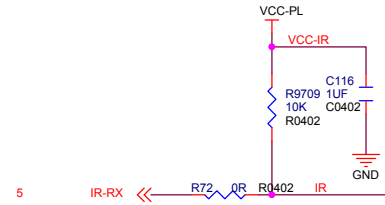


A64



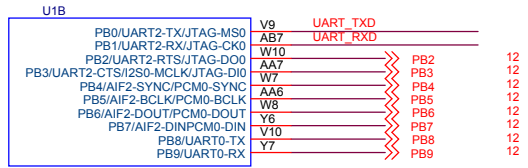
CTP

IR

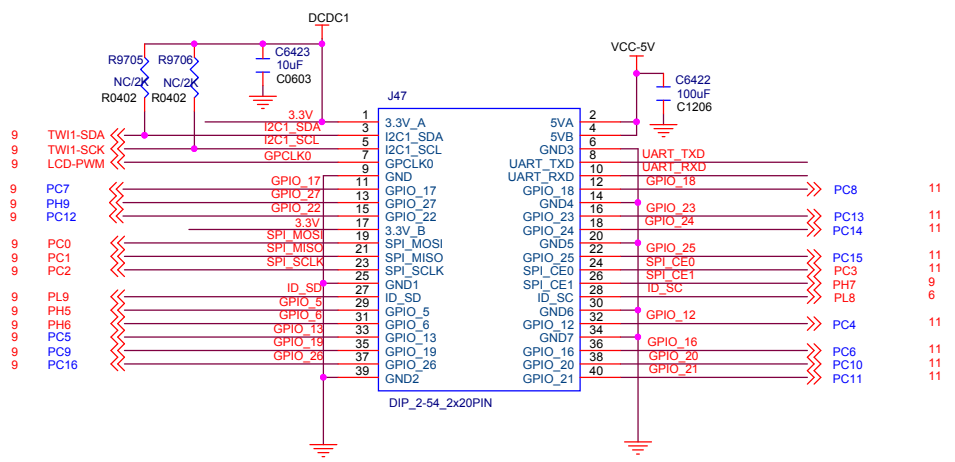


Pine A64			
Title		PINE A64 512MB	
Document Number		CTP/IR	
Size	A3	Date:	Thursday, December 24, 2015
Sheet	16	of	19
Rev	V1.2		

PI-2 bus

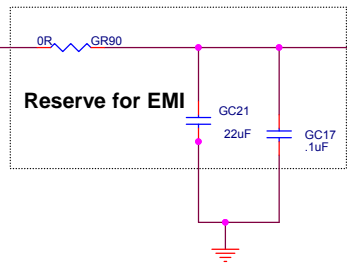


A64

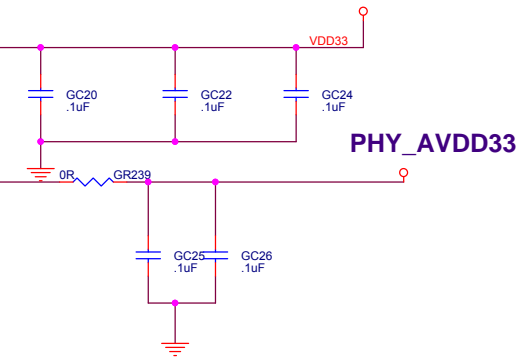


<i>Pine A64</i>	
Title	PINE A64 512MB
Document Number	PI-2
Size	A3
Date:	Wednesday, December 23, 2015
Sheet	17 of 19
Rev	V1.2

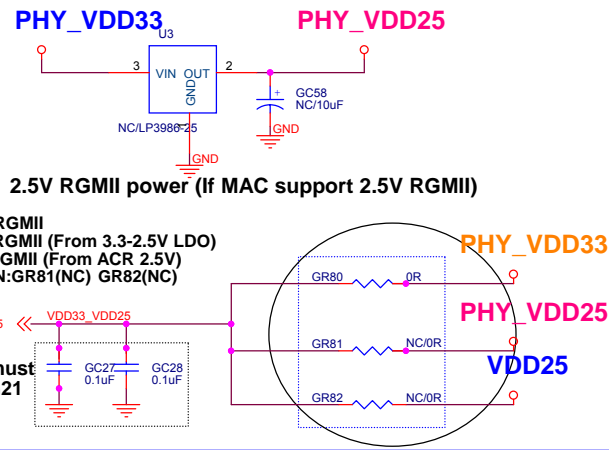
GMAC-3V



PHY_VDD33



3.3/2.5V RGMII Power



RTL8211CN/D/E	GL1	C56	U10	GR65	GR66	GR122	GC41/GC57
Enable switching regulator	○	○	✗	○	✗	✗	○
Disable switching regulator	✗	✗	○	✗	○	○	✗

Note 1: The Trace length between GL1 and Pin 48 must be within 0.5 cm. GC40 and GC41 to G L1 must be within 0.5cm.

RTL8211D/8211CN: GC40 22uF(X5R)
RTL8211E: GC40 4.7uF(X5R)

RTL8201FN/EN :
C40,C41,GL1 is NC
GC33,GC38,GC35,GC37 is NC

C44 close to pin40

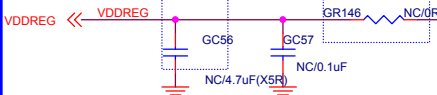


VDDREG

RTL8211D/8211CN: L1=4.7uH
RTL8211E: L1= 2.2uH

Note 2: The Trace length from C56, C57 to Pin 44,45 must be within 1 cm. The trace width from PHY_AVDD33 to Pin 44,45 should >40mils

PHY_AVDD33



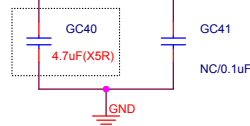
Isolation VDDREG and AVDD33
RTL8201FN/EN: GC56(NC), GC57(NC), GR146(NC)
RTL8211CN/8211D: GC56 22uF(X5R)
RTL8211E: GC56 4.7uF(X5R)

External Power Source

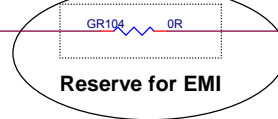
U10,GC69,GC68, GR122,GR120 and GR121 are only used by 8211CN/8211D/8211E application when switching regulator is disabled. For other applications, please remove them.

RESERVE

C40 close to L1



Reserve for EMI



C39 close to pin28

